

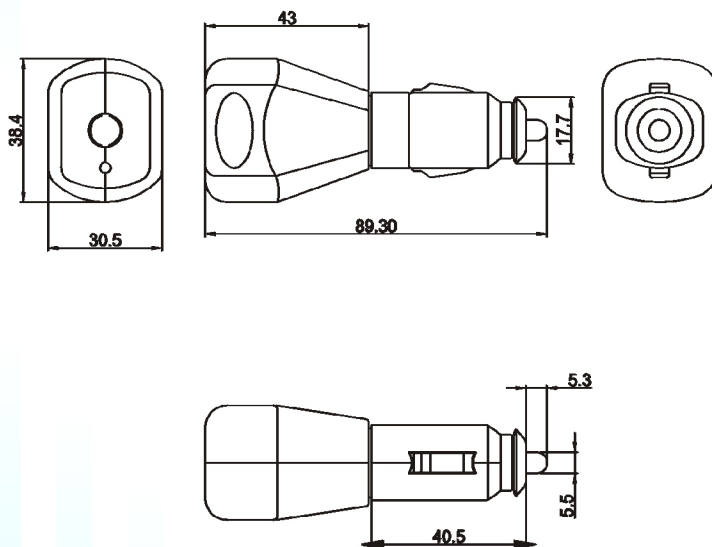
## In car power supply

### Features:

- Wide input voltage 11VDC to 15VDC for Model PSD12-0 to PSD12-2
- Wide input voltage 11VDC to 15VDC for Model PSD12-4 to PSD12-8
- Optional output connectors
- High reliability
- High efficiency
- Compact low profile package
- One year warranty



UNIT: mm



### Note:

1. Weight: Approx 70~100g
2. Optional output connectors (see page 45)

Model	Output Voltage	Output Current	Maximum output power
PSD12-0	3~5 VDC	1.00~0.60A	3W
PSD12-1	5~6 VDC	1.00~0.83A	5W
PSD12-1-1	6~8 VDC	1.00~0.75A	6W
PSD12-2	8~10VDC	1.00~0.72A	8W
PSD12-4	13~16VDC	0.61~0.50A	8W
PSD12-5	16~21VDC	0.50~0.38A	8W
PSD12-6	21~27VDC	0.38~0.29A	8W
PSD12-7	27~33VDC	0.29~0.24A	8W
PSD12-8	33~48VDC	0.24~0.16A	8W